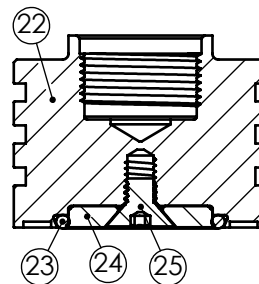
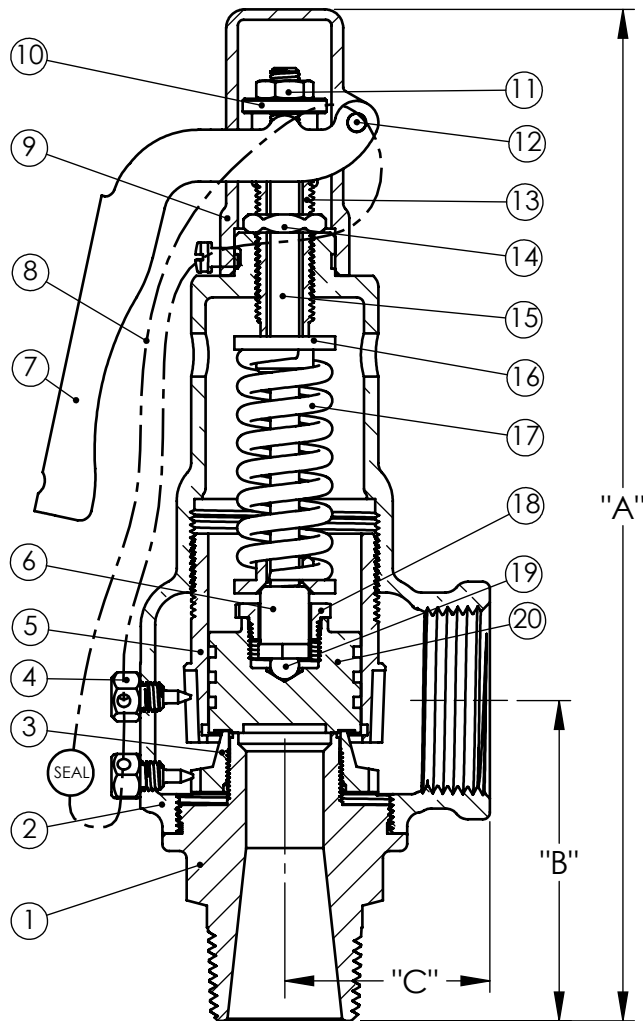


Aquatrol Inc. is the owner of this print and design thereon



Soft Seat Option

Series 560 ASME - NB Section I Steam  
 Series 570 ASME - NB Section VIII Air/Gas/Steam

Inlet Sizes from 1/2" to 2 1/2"  
 560/570 Max. 300 P.S.I. Air, 250 P.S.I. Steam, Max. Temp 406°F  
 563/573 Max. 300 P.S.I. Air, 300 P.S.I. Steam, Max. Temp 425°F

ITEM	DESC.	MODEL / MATERIAL	
		560 / 570	563 / 573
1	Body	B16/B62-C83600	A479-316 SS
2	Bonnet	B584-C84400	B584-C84400
3	Lower Ring	B584-C84400	B584-C84400
4	Lock Screw	B16	B16
5	Upper Ring	B584-C84400	B584-C84400
6	Spring Support	B16	B16
7	Lift Lever	Steel / Plated	Steel / Plated
8	Seal Wire	Steel / Galvanized	Steel / Galvanized
9	Hood	Aluminum / Plated	Aluminum / Plated
10	Lifter Nut	B16	B16
11	Jam Nut	18-8	18-8
12	Lever Pin	B16	B16
13	Pressure Screw	B16	B16
14	Lock Nut	B16	B16
15	Stem	B16	B16
16	Spring Plate	B16	B16
17	Spring	Stainless	Stainless
18	Disc Nut	B16	B16
19	Ball Bearing	440	440
20	Disc	B16	A479-316 SS
21	Name Plate	Stainless	Stainless
22	Disc	B16	A479-316 SS
23	O-Ring	Various	Various
24	Center Insert	B16	A479-316 SS
25	Screw	18-8 Stainless	18-8 Stainless

Inlet x Outlet	Orifice	"A"	"B"	"C"
1/2" x 3/4"	"D"	7-1/4"	2-3/8"	1-1/2"
3/4" x 3/4"	"D"	7-1/4"	2-3/8"	1-1/2"
3/4" x 1"	"E"	7-5/8"	2-1/2"	1-5/8"
1" x 1"	"E"	7-5/8"	2-1/2"	1-5/8"
1" x 1-1/4"	"F"	8-3/4"	2-3/4"	1-3/4"
1-1/4" x 1-1/4"	"F"	8-3/4"	2-3/4"	1-3/4"
1-1/4" x 1-1/2"	"G"	9-1/2"	3-3/8"	2-1/4"
1-1/2" x 1-1/2"	"G"	9-1/2"	3-3/8"	2-1/4"
1-1/2" x 2"	"H"	11"	3-5/8"	2-5/8"
2" x 2"	"H"	11"	3-5/8"	2-5/8"
2" x 2-1/2"	"J"	12-5/8"	4"	3-1/8"
2-1/2" x 2-1/2"	"J"	12-7/8"	4-1/4"	3-1/8"

**Aquatrol**  
VALVE COMPANY, INC.

PART NAME: **Series 560/570**

Date: 7/13/2014      Part Number

Drawn by: \_\_\_\_\_

Approved by: \_\_\_\_\_

**560609**

Revised 01/24/2020