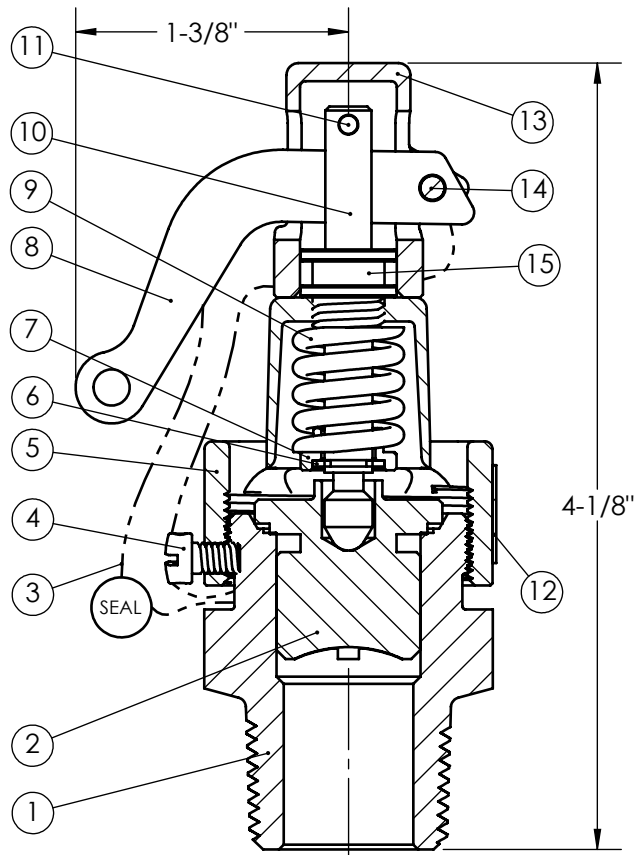


Aquatrol Inc. is the owner of this print and design thereon



| Item | Desc. | Material |
|------|--------------|--------------------|
| 1 | Body | Brass / Stainless |
| 2 | Disk | Bronze / Stainless |
| 3 | Seal Wire | Steel / Lead |
| 4 | Lock Screw | Brass |
| 5 | Bonnet | Bronze |
| 6 | Support | Stainless |
| 7 | Spring Plate | Brass |
| 8 | Lift Lever | Steel / Plated |
| 9 | Spring | Stainless |
| 10 | Spring Post | Brass |
| 11 | Lift Pin | Brass |
| 12 | Nameplate | Stainless |
| 13 | Hood | Bronze |
| 14 | Lever Pin | Brass |
| 15 | Hood Mount | Brass |

Series 121
 ASME - NB Section VIII Air/Gas/Steam
 Inlet Sizes 1/2" - 3/4" - 1"
 Max. 200 P.S.I.



| | | |
|--------------|-----------|-------------------------|
| PART NAME | | Series 121 |
| Date: | 4/14/2016 | Part Number 3-121-00 |
| Drawn by: | | |
| Approved by: | | |

Revised: 2/11/2019