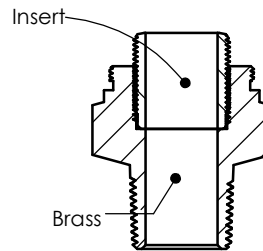
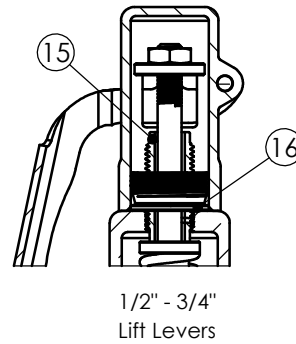
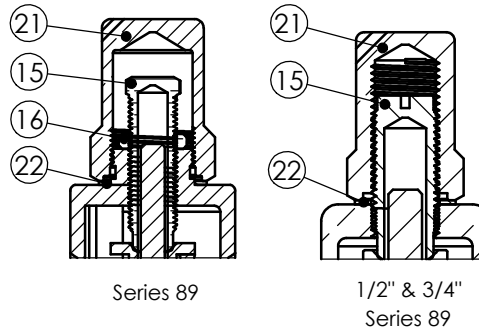
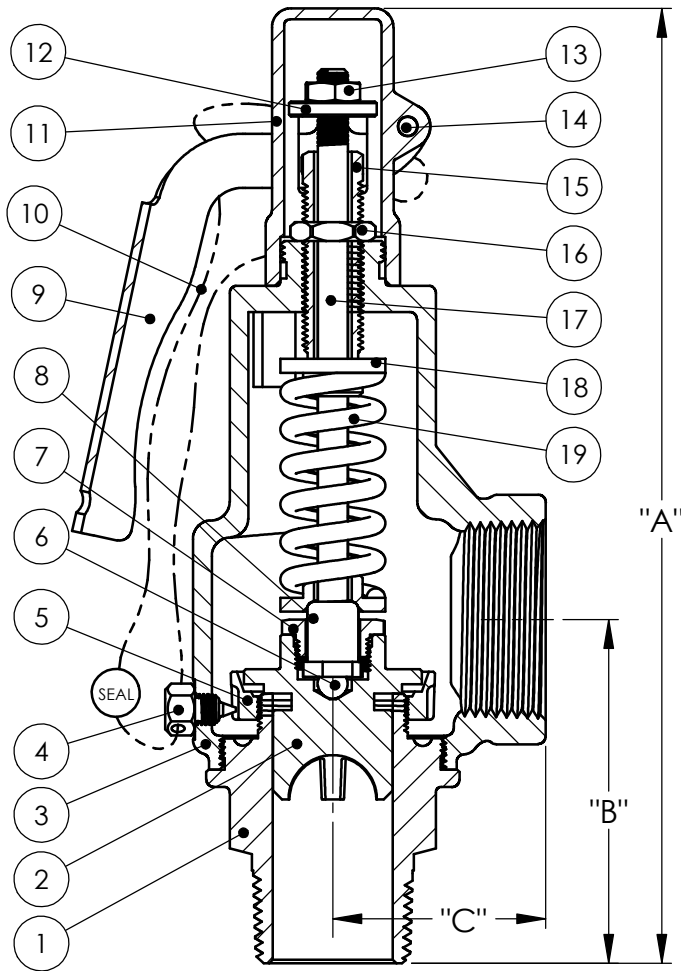


Aquatrol Inc. is the owner of this print and design thereon

Safety Valve for Air / Gas / Steam (Non-Code ONLY)
 Certifications: ASME - NB Section XIII "UV" for Section VIII Div. 1, CRN



Stainless Option:
 1/2" thru 2"
 are solid Stainless

2-1/2" and 3"
 have an insert

Notes:

- 1) 2-1/2" - 3" bodies are B62-C83600
- 2) Stainless Option:
 1/2" thru 2" are solid stainless bodies.
 2-1/2" and 3" have a stainless insert.
- 3) Hood also locks the pressure screw on 1/2" and 3/4" valves.
- 4) Springs on 2-1/2" and 3" are Zinc plated Oil tempered wire.
- 5) 2-1/2" and 3" valves are non-code.
- 6) Pressures above 250 P.S.I and below 15 P.S.I. are non-code.
- 7) Maximum backpressure: Lower of 10% of set pressure or 50 P.S.I.

Inlet Sizes from 1/2" to 3"
 Max. 250 P.S.I. Air
 250 P.S.I. Steam
 Max. Temp 406°F

Item	Description	Model / Material	
		88/89	88/89 SS Option
1	Body	B16/B283-C37700	SA479-316 SS
2	Disk	B62-C83600	SA479-316 SS
3	Bonnet	B584-C84400	B584-C84400
4	Lock Screw	B16 Brass	B16 Brass
5	Lower Ring	B584-C84400	B584-C84400
6	Ball	440 SS	440 SS
7	Disk Nut	B16 Brass	B16 Brass
8	Spring Support	B16 Brass	B16 Brass
9	Lift Lever	Plated Steel	Plated Steel
10	Seal Wire	Lead / Steel	Lead / Steel
11	Hood	Aluminum	Aluminum
12	Lifter Nut	B16 Brass	B16 Brass
13	Jam Nut	18-8 SS	18-8 SS
14	Lever Pin	B16 Brass	B16 Brass
15	Pressure Screw	B16 Brass	B16 Brass
16	Locknut	B16 Brass	B16 Brass
17	Spring Post	B16 Brass	B16 Brass
18	Spring Plate	B16 Brass	B16 Brass
19	Spring	302/17-7 SS	302/17-7 SS
20	Name Plate	Stainless	Stainless
21	Hood	B16 Brass	B16 Brass
22	Hood Seal	Nylon/PTFE	Nylon/PTFE

Size I.D.	Max. P.S.I.	Connections		Series 88 "A"	Series 89 "A"	"B"	"C"
		Inlet	Outlet				
88-A1	250	1/2"	1/2"	6-7/8"	6"	2-1/2"	1-3/8"
88-A2	250	1/2"	3/4"	6-7/8"	6"	2-1/2"	1-3/8"
88-B1	250	3/4"	3/4"	7-1/8"	6-1/4"	2-5/8"	1-1/2"
88-B2	250	3/4"	1"	7-1/8"	6-1/4"	2-5/8"	1-1/2"
88-C1	250	1"	1"	7-7/8"	7-3/8"	2-7/8"	1-3/4"
88-C2	250	1"	1-1/4"	7-7/8"	7-3/8"	2-7/8"	1-3/4"
88-D1	250	1-1/4"	1-1/4"	8-3/4"	8-1/4"	3-3/8"	2"
88-D2	250	1-1/4"	1-1/2"	8-3/4"	8-1/4"	3-3/8"	2"
88-E1	250	1-1/2"	1-1/2"	9-1/2"	9-1/2"	3-1/2"	2-1/8"
88-E2	250	1-1/2"	2"	9-1/2"	9-1/2"	3-1/2"	2-1/8"
88-F1	250	2"	2"	11-1/4"	11"	3-7/8"	2-5/8"
88-F2	250	2"	2-1/2"	11-1/4"	11"	3-7/8"	2-5/8"
88-G1	250	2-1/2"	2-1/2"	13-7/8"	13"	5-1/4"	3-5/8"
88-G2	250	2-1/2"	3"	13-7/8"	13"	5-1/4"	3-5/8"
88-H1	250	3"	3"	13-3/4"	13-1/4"	5-5/8"	3-5/8"

Revised: 9/26/2022

PART NAME		Series 88	
Date:	3/22/2016	Part Number	
Drawn by:		2-120	
Approved by:			