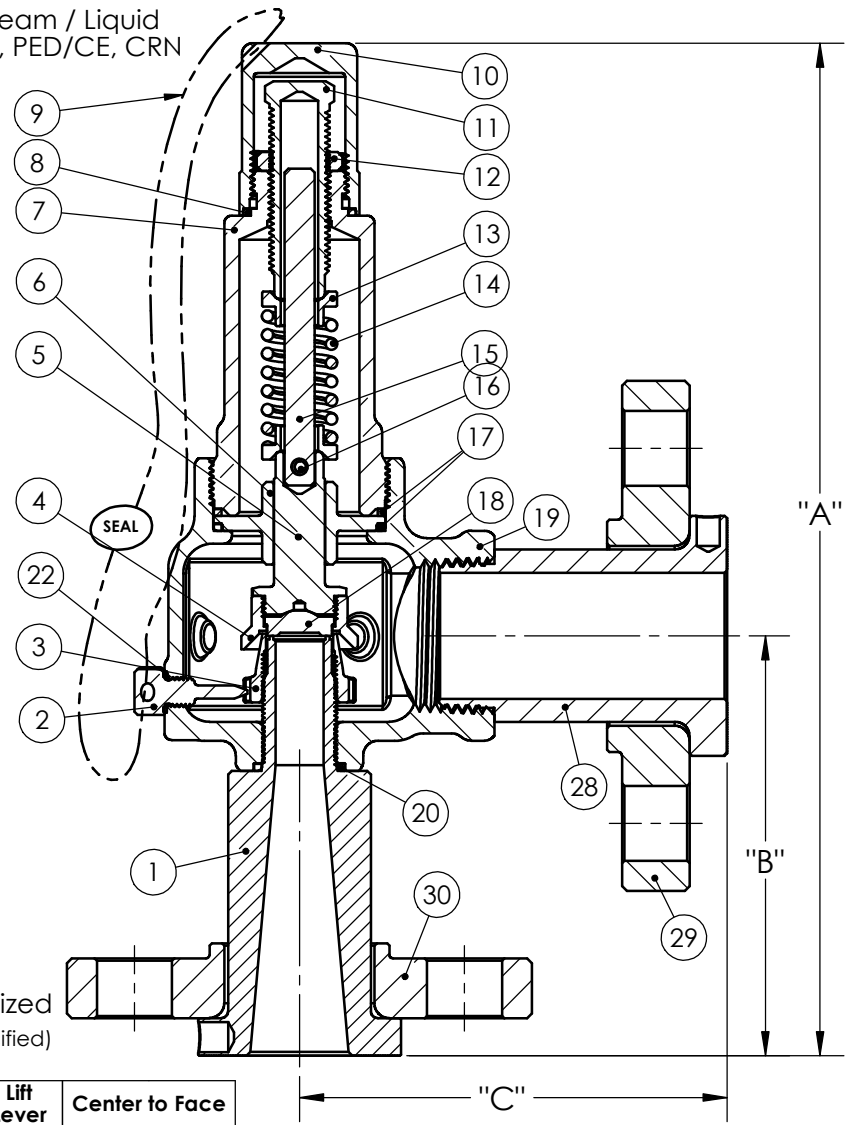
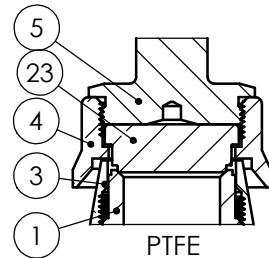
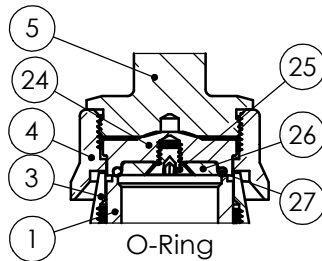


Safety Relief Valve for Air / Gas / Steam / Liquid  
 Certifications: ASME - NB Section VIII, PED/CE, CRN

Item	Desc.	Material
1	Lap Joint Nozzle	SA479-316 SS
2	Ring Lock Screw	SA479-316 SS
3	Lower Ring	SA351-CF8M SS
4	Disc Holder	SA479-316 SS
5	Disc Holder Shaft	SA479-316 SS
6	Disc Guide	SA479-316 SS
7	Bonnet	SA351-CF8M
8	Hood Seal	PTFE
9	Seal Wire	Stainless / Lead
10	Hood	SA479-316 SS
11	Pressure Screw	SA479-316 SS
12	Lock Nut	SA479-316 SS
13	Spring Plate	SA479-316 SS
14	Spring	302/17-7 SS
15	Spring Post	SA479-316 SS
16	Spring Pin	18-8 SS
17	Disc Guide Seals (2)	PTFE
18	Disc	SA479-316 SS
19	Body	SA351-CF8M SS
20	Nozzle Seal	PTFE
21	Nameplate	Stainless
22	Lock Screw Seal	PTFE
28	Outlet Fitting	SA479-316 SS
29	Lap Joint Flange	A182 - F316
30	Lap Joint Flange	A182 - F316

Series 743 Seating Options

ITEM	Description	Material
23	Disk	PTFE
24	O-Ring Disk	SA479-316 SS
25	Screw	18-8 SS
26	Disk Insert	SA479-316 SS
27	O-Ring	Various



ASME B16.5 Lap Joint flanges  
 "B" and "C" dimensions can be customized  
 Serrated or smooth faces (Customer specified)

1 1/2" E Orifice is ASME/CE Air/Gas and Steam Only

Orifice	Max Set Pressure	Connections Flange x Flange		Closed Cap		Lift Lever		Center to Face		Orifice	Max Set Pressure	Connections Flange x Flange		Closed Cap		Lift Lever		Center to Face	
				"A"	"A"	"B"	"C"	"A"	"A"					"B"	"C"	"A"	"A"	"B"	"C"
D	1500	1/2"	3/4"	9-5/8"	10-1/4"	4-5/8"	4-1/4"	F	750	1-1/4"	1-1/2"	11"	11-5/8"	4-5/8"	4-5/8"				
D	1500	1/2"	1"	9-5/8"	10-1/4"	4-5/8"	4-1/4"	F	750	1-1/2"	1-1/2"	11"	11-5/8"	4-5/8"	4-5/8"				
D	1500	3/4"	3/4"	9-5/8"	10-1/4"	4-5/8"	4-1/4"	G	700	1-1/4"	2"	12-3/8"	13"	5-5/8"	4-3/4"				
D	1500	3/4"	1"	9-5/8"	10-1/4"	4-5/8"	4-1/4"	G	700	1-1/2"	2"	12-3/8"	13"	5-5/8"	4-3/4"				
D	1500	1"	1"	11-1/2"	12-1/8"	6-1/2"	4-1/4"	G	700	2"	2"	14"	14-1/2"	7-1/8"	6-1/2"				
E'	1500	1/2"	1"	10-1/4"	10-7/8"	4-5/8"	4-1/4"	H	600	1-1/2"	2"	14"	14-5/8"	5-7/8"	5-3/8"				
E'	1500	1/2"	1"	10-1/4"	10-7/8"	4-5/8"	4-1/4"	H	600	2"	2"	14"	14-5/8"	5-7/8"	5-3/8"				
E	1500	3/4"	1"	10-1/4"	10-7/8"	4-5/8"	4-1/4"	H	600	1-1/2"	2-1/2"	14"	14-5/8"	5-7/8"	5-3/8"				
E	1500	3/4"	1-1/4"	10-1/4"	10-7/8"	4-5/8"	4-1/4"	H	600	2"	2-1/2"	14"	14-5/8"	5-7/8"	5-3/8"				
E	1500	1"	1"	10-1/4"	10-7/8"	4-5/8"	4-1/4"	H	600	2-1/2"	2-1/2"	14"	14-5/8"	5-7/8"	5-3/8"				
E	1500	1"	1-1/4"	10-1/4"	10-7/8"	4-5/8"	4-1/4"	J	600	2"	3"	16-5/8"	17-1/8"	6-1/2"	6"				
E	1500	1-1/4"	1-1/4"	10-1/4"	10-7/8"	4-5/8"	4-1/4"	J	600	2-1/2"	3"	16-5/8"	17-1/8"	6-1/2"	6"				
F	750	1"	1-1/2"	11"	11-5/8"	4-5/8"	4-5/8"	J	600	3"	3"	16-5/8"	17-1/8"	6-1/2"	6"				

Inlet Sizes from 1/2" to 3"  
 Max Temp : 800°F  
 Max Pressure : 1500 P.S.I. (300 P.S.I. Steam)  
 Back Pressure : 10% of set, max 50 P.S.I.  
 (whichever is less)

**Aquatrol**  
 VALVE COMPANY, INC.

PART NAME: Series 743 Flanged  
 Date: 8/27/2018  
 Drawn by:  
 Approved by:

Part Number: 743-01-FL