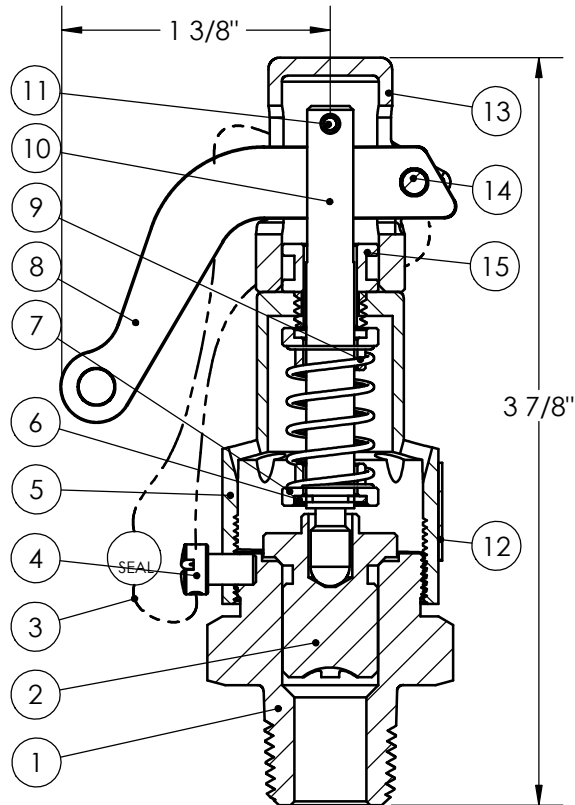


Safety Valve - Air / Gas / Steam  
ASME - NB Section XIII "UV" for Section VIII Div. 1, CRN



Item	Description	Model/Material	
		Brass	Stainless
1	Body	B16 Brass	SA479-316 SS
2	Disk	B62-C83600	SA479-316 SS
3	Seal Wire	Steel / Lead	Steel / Lead
4	Lock Screw	B16 Brass	B16 Brass
5	Bonnet	B16 Brass	B16 Brass
6	Support	Stainless	Stainless
7	Spring Plate	B16 Brass	B16 Brass
8	Lift Lever	Steel / Plated	Steel / Plated
9	Spring	302 SS	302 SS
10	Spring Post	B16 Brass	B16 Brass
11	Lift Pin	B16 Brass	B16 Brass
12	Nameplate	Stainless	Stainless
13	Hood	B584-C84400	B584-C84400
14	Lever Pin	B16 Brass	B16 Brass
15	Hood Mount	B16 Brass	B16 Brass

Inlet Sizes 1/4" - 3/8" - 1/2"  
Outlet Size 1/2"  
Max Temp: 406°F  
Max Pressure: 200 P.S.I.

<b>Aquatrol</b> VALVE COMPANY, INC.	
PART NAME	Series 132
Date: 5/18/2015	Part Number <b>3-132-00</b>
Drawn by:	
Approved by:	

Revised: 9/26/2022